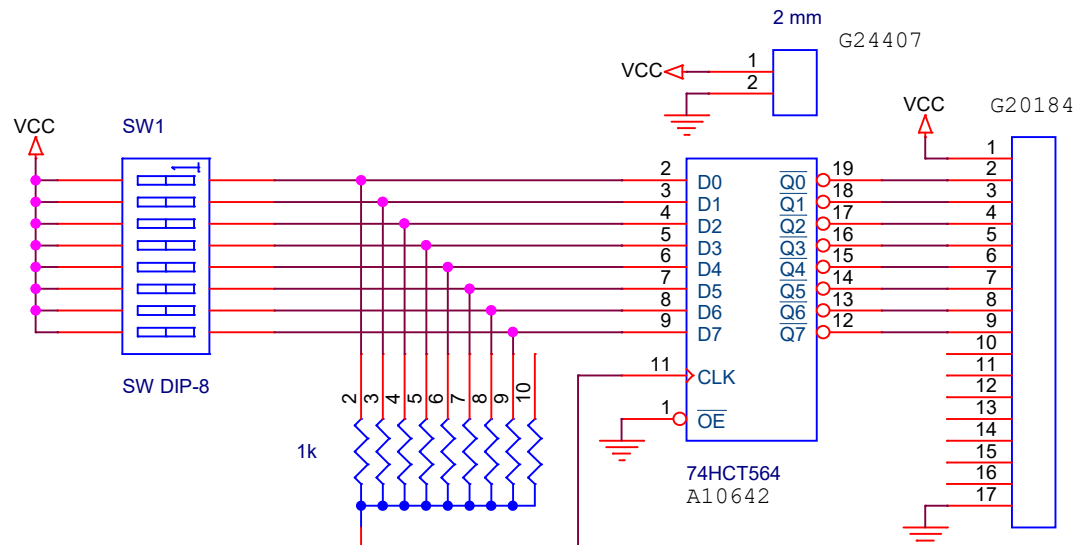


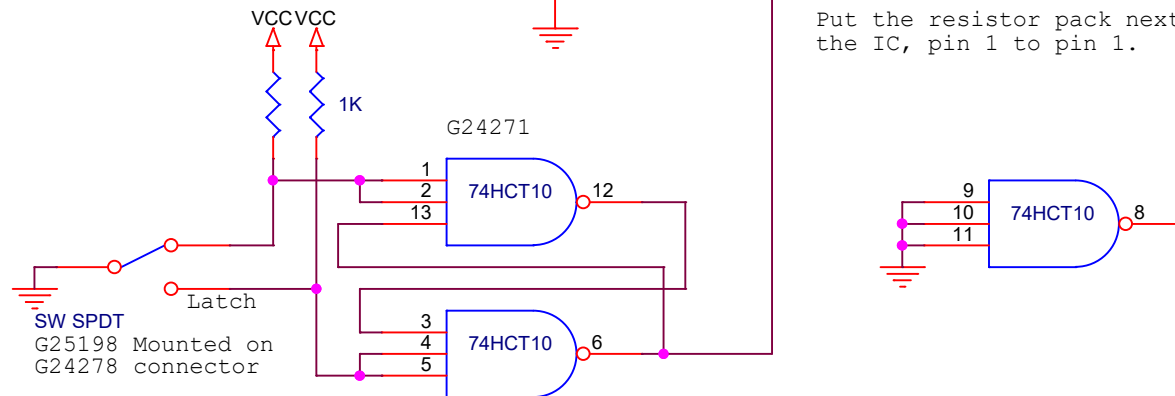
74HCT564

High edge trigger
Tri-State outputs
Inverted outputs

SN74HCT564N A10642
SN74ACT564N G12429



Put the resistor pack next to the IC, pin 1 to pin 1.



Eight bounce free switches when you want multiple output to change state at the same time.

Title		
SN74HCT564N octal latch		
Size	Document Number	Rev
A	Design 1813	1
Date:	Sunday, May 16, 2021	Sheet 1 of 1