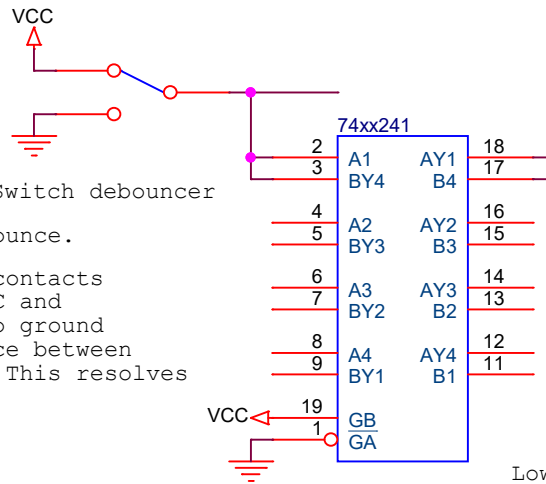


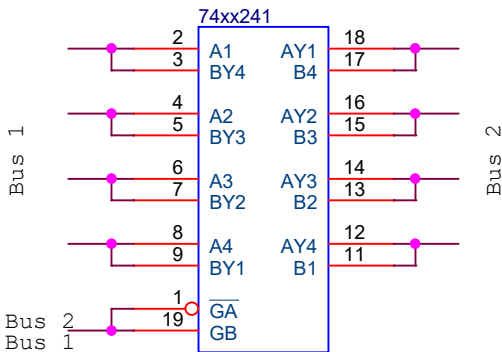
Select either of two 4-bit buses



Switch debouncer

Switch contacts bounce.

Moved to VCC the contacts bounce between VCC and floating. Moved to ground the contacts bounce between ground and float. This resolves that problem.

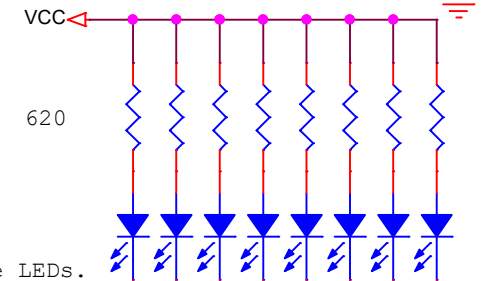
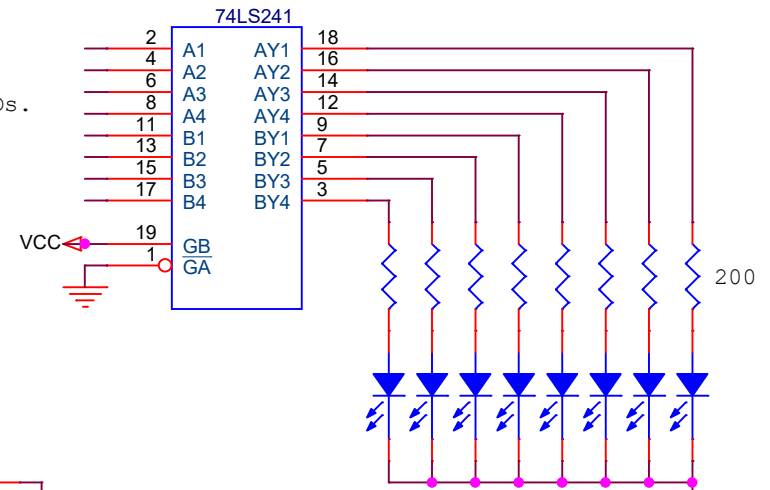


0 => Bus 1 to Bus 2
1 => Bus 2 to Bus 1

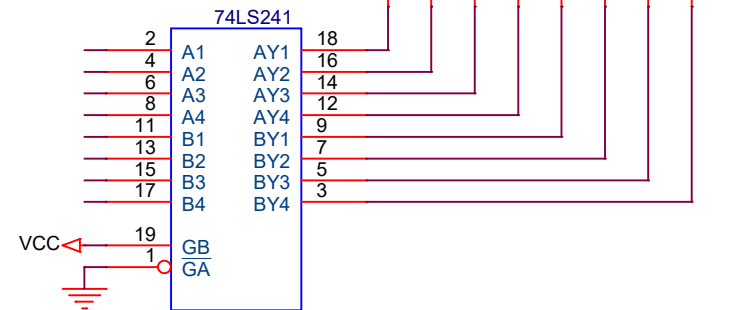
4-bit bidirectional bus

High in lights the LEDs.

SN74HCT241N A10876
SN74LS241N A20333
SN74S241N G12641
SN74HCT241N G4677
SN74LS241N G4941



Low in lights the LEDs.



Title		
SN74xx241N		
Size	Document Number	Rev
A	Design 1821	1
Date:	Sunday, April 11, 2021	Sheet 1 of 1