

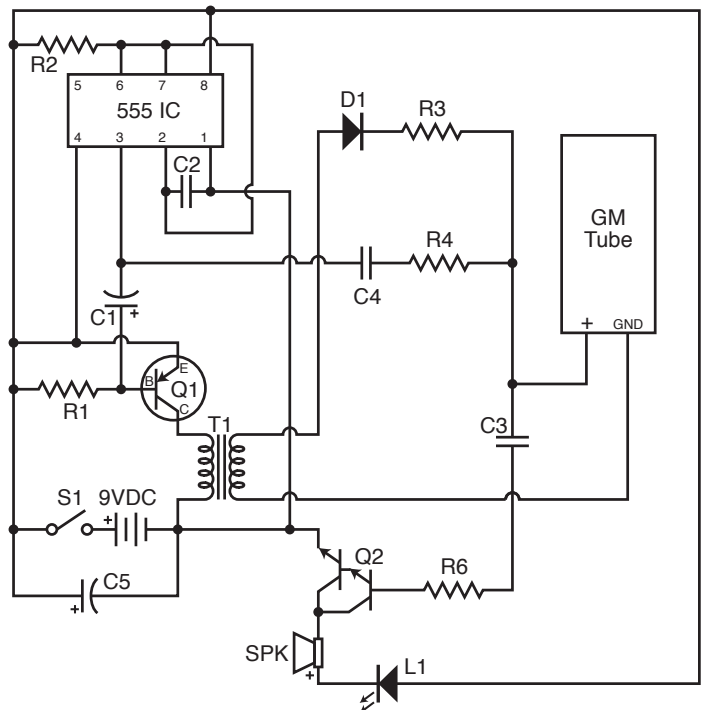
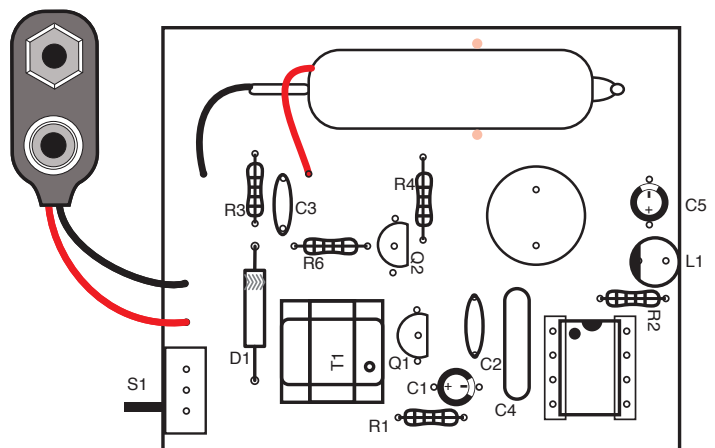
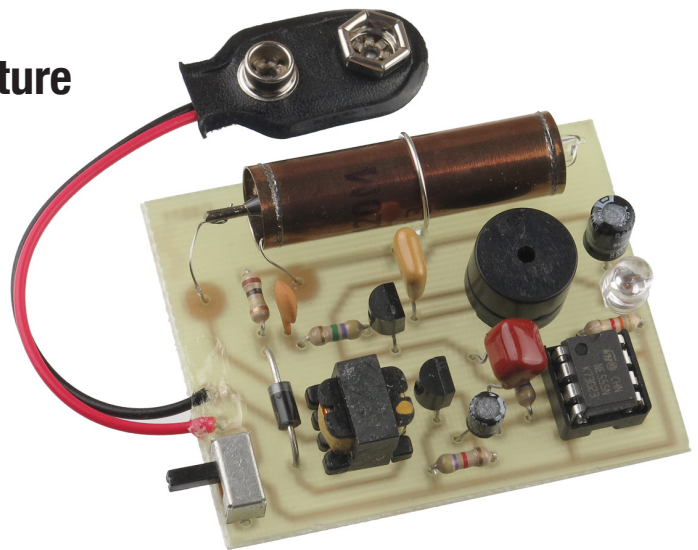
C8611ASB

Sensitive SBM-20M Assembled Miniature Beta Gamma Geiger Counter

Sensitive Geiger Counter uses a recently manufactured SBM-20M thin walled Geiger Mueller Tube. It is sensitive to beta and gamma rays. Produces clicks and flashes of orange light when radioactive or cosmic rays strike the sensitive geiger tube. Size is only 2.16" x 1.74" x 0.5". Background radiation here in Arizona is about 8 to 10 clicks per minute. Brand new fully assembled ready to go. Operates on 9V battery (not included). Sorry no case available.

This Geiger Counter should not be handled while power is supplied. The Geiger Mueller Tube uses high voltage at very low current, so handling during operation may cause shorts or component failure (the current is very weak and will not cause harm to you but can damage the components). This Geiger Counter should be enclosed within a plastic case during operation. Sorry, we do not have a case available for this Geiger Counter.

An object's radiation level can be determined by counting the clicks that occur per minute and bringing the GM tube near it. When a radioactive substance is brought near the Geiger Mueller tube the click rate will increase. This Geiger Counter will allow you to test and study radioactive sources including: lantern mantles, radium watch dials, some smoke detectors, radioactive minerals, etc. Please note that it is meaningless to attempt to measure the high voltage output that goes to the tube with a VOM. Even though your VOM is very high quality, it will load the output and indicate around 25 to 50 Volts.



Video Demonstration Available at
The Electronic Goldmine
www.Goldmine-Elec.com
Use Search Term : C8611ASB