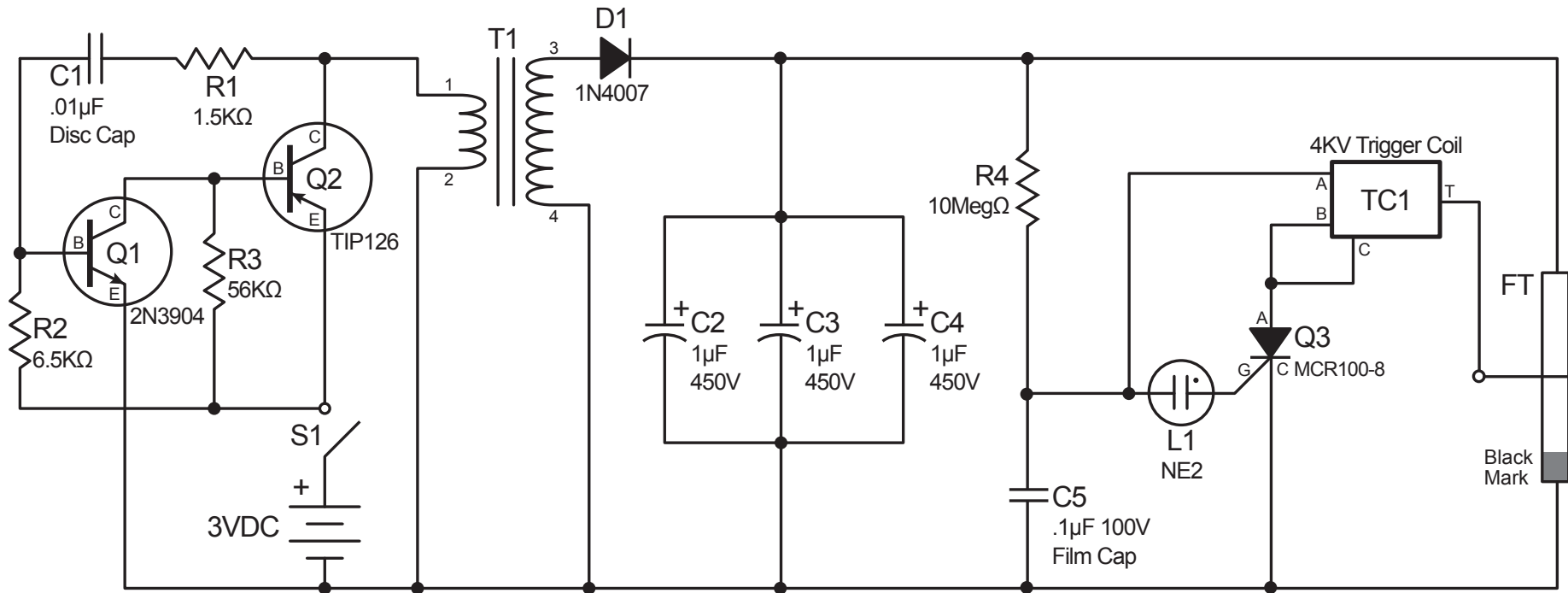
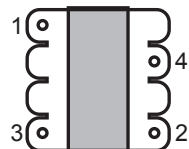


G17891 - 3VDC Strobelight Schematic

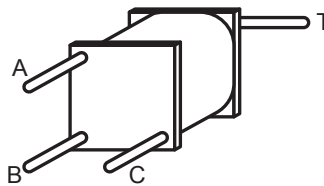


T1 Lead Detail

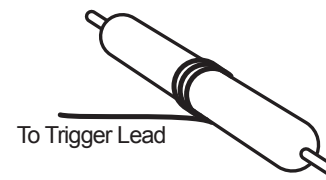


Bottom View

Trigger Coil Detail



Flash Tube Detail



Note: Wrap bare wire around the center of the flashtube to connect the trigger lead.