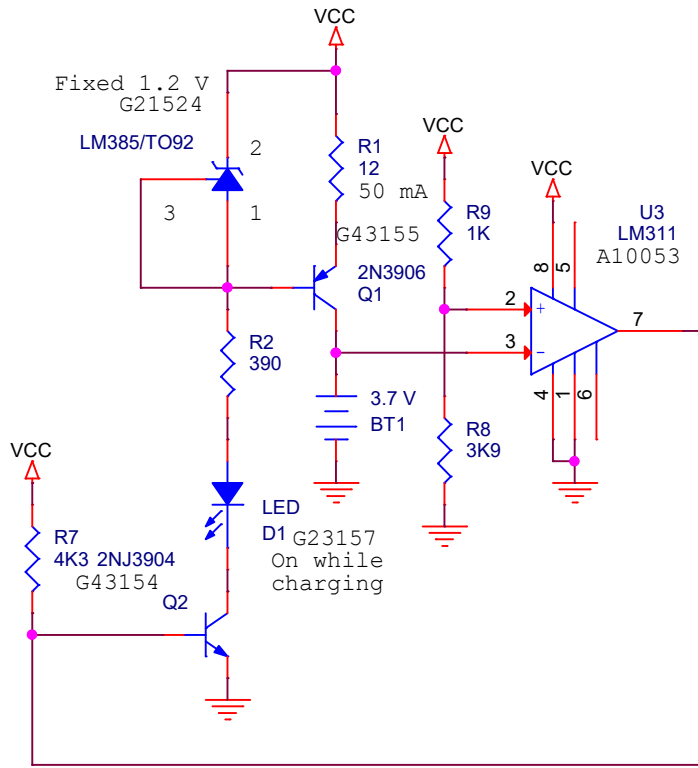
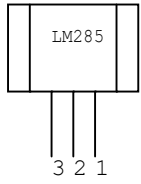
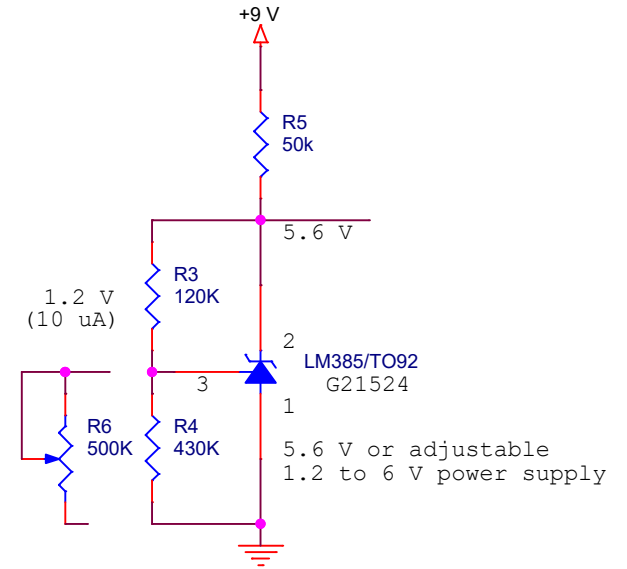


10 uA to 20 mA



Auto shutoff lithium battery charger



Title		
LM385-1.2 G21524 adjustable 1.2 Volt reference		
Size A	Document Number Design 1720	Rev 1\1
Date:	Tuesday, November 03, 2020	Sheet 1 of 1