

Home >

Components >

Auto Sensors

Flow Sensors

Level Sensors

Opto Sensors

Proximity Sensors

Reed Switches

Selection Guide

Application Notes

HYR-Series

HYR-1003

HYR-1508

HYR-1532

HYR-1552

HYR-1555

HYR-1559

HYR-2003-1

HYR-2003-2

HYR-2016

HYR-2034

NRS-Series

RD-Series

Intrusion Detection >

Video Surveillance >

About Us >

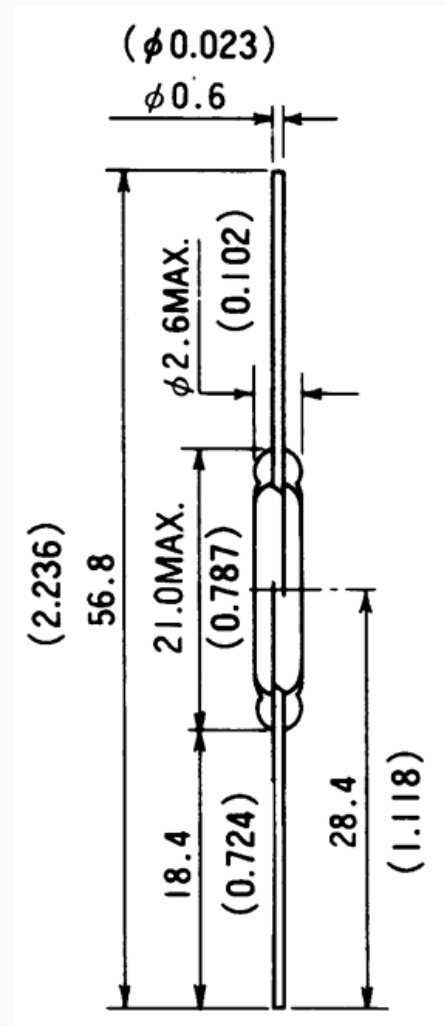
Contact Us >

Aleph HYR-2016 – High Power – 220VAC + Reed Switch

Specifications/Dimensions

Item	Value
Contact Form	1A
Contact Position ¹	C
Contact Material	Rhodium
Max. Contact Rating	25W
Max. Switching Voltage	1,000VDC
Max. Switching current	1A
Max. Initial Contact Resistance	100m Ω
Pull in Value (AT)	15-70
Min. Drop out Value (AT)	6
Min. Breakdown Voltage ²	2,500VDC
Max. Contact Capacitance	0.4pF
Min. Insulation Resistance	10 ¹¹ Ω
Typ. Resonant Frequency	2.2kHz
Electrical Life (Resistive loads)	2 X 10 ⁶ (1,000VDC, 10mA)
Features	Vacuum, High power, High breakdown voltage

1. C: Center gap O: Off center gap
2. Breakdown voltage specifications are based on Pull-In sensitivity of 25 AT or higher. Contact ALEPH for information for switches with less than 25 AT sensitivity.



コイル品名 Test Coil No.	TC-0501A	TC-0502A
外形寸法 (mm) Dimensions Unit : mm		
コイル巻数 (±10 T) Number of Turns	5,000	5,000
コイル線径 Wire Gauge	φ0.05	φ0.08
コイル抵抗 Coil Resistance	850 Ω	440 Ω
適用リードスイッチ Applicable for	HYR1002 HYR1003	HYR1501 HYR2001 HYR1508 HYR2001-1 HYR1532 HYR2031-2 HYR1552 HYR2003-1 HYR1554 HYR2003-2 HYR1555 HYR2004 HYR1506 HYR2016 HYR1536 HYR1559