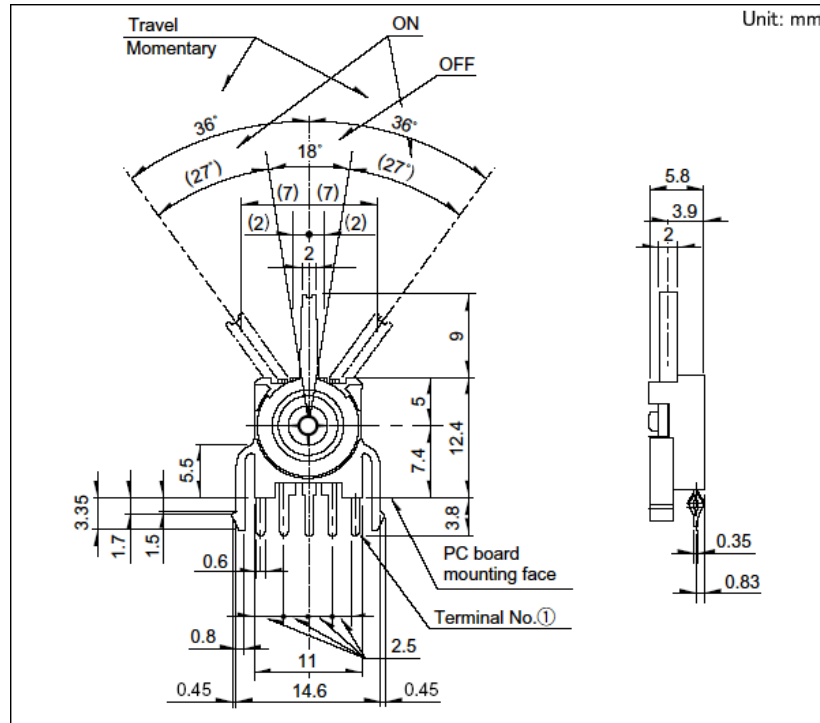


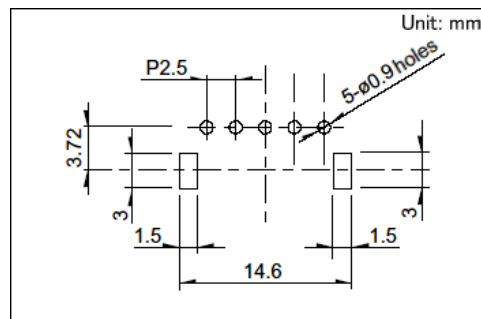
Two-way Detection Type SSCF Series

Poles		1
Positions		2
Changeover timing		Non shorting
Terminal type		For PC board
Operating force		0.7N max.
Mounting method		PC board with hook
Operating temperature range		-40°C to +85°C
Rating (max.)/(min.) (Resistive load)		0.1A 12V DC/50μA 3V DC
Electrical performance	Contact resistance (Initial/After operating life)	100mΩ max./300mΩ max.
	Insulation resistance	100MΩ min. 100V DC
	Voltage proof	100V AC for 1 minute
Mechanical performance	Terminal strength	5N for 1 minute
	Actuator strength	10N
Durability	Operating life without load	50,000 cycles 300mΩ max.
	Operating life with load Rating (max.) (Resistive load)	50,000 cycles 300mΩ max.
Environmental performance	Cold	-40°C 500h
	Dry heat	85°C 500h
	Damp heat	60°C, 90 to 95%RH 500h
Minimum order unit (pcs.)	Japan	600
	Export	3,000

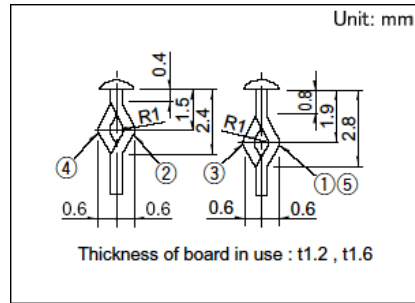
Dimensions



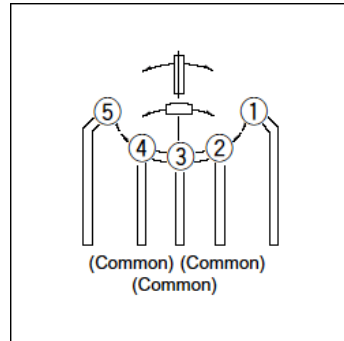
Mounting Hole Dimensions



Terminal Style



Circuit Diagram



Packing Specifications

Bulk

Number of packages 1 case / Japan (pcs.)	600
1 case / export packing	3,000
Export package measurements (mm)	400×270×290

Soldering Conditions

Reference for Dip Soldering

Items	Preheating temperature	-
	Preheating time	-
Dip soldering	Soldering temperature	260±5℃
	Duration of immersion	5±1s

Reference for Hand Soldering

Soldering temperature	350±10℃
Soldering time	3+1/0s

Notes are common to this series/models.

1. This site catalog shows only outline specifications. When using the products, please obtain formal specifications for supply.
2. Please place purchase orders per minimum order unit (integer).
3. Products other than those listed in the above chart are also available. Please contact us for details.
4. This products can be used in vehicles.
Although these products are designed to perform over a wide operating temperature range, please ensure that you receive and read the formal delivery specifications before use.