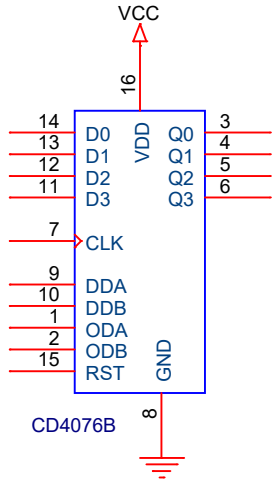
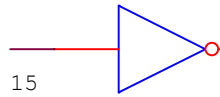


G24793 MC14076BCP

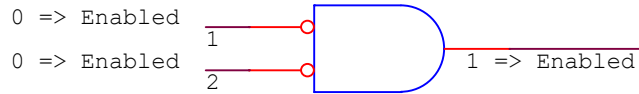
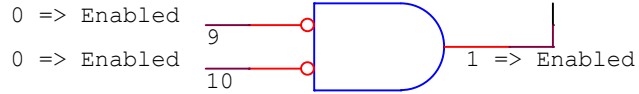


High edge clock
 1 => Dtsable data in
 1 => Dtsable data in
 1 => Dtsable data out
 1 => Dtsable data out
 1 => Reset

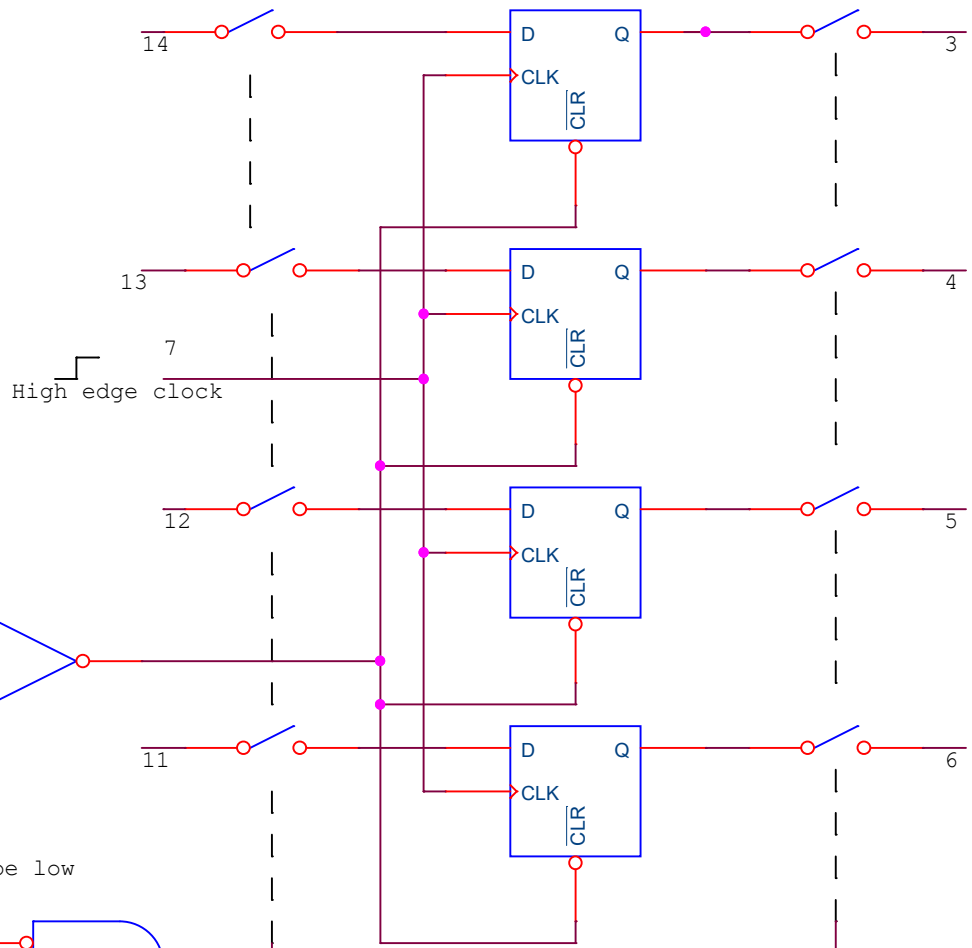
1 => Reset



Both inputs must be low
to enable inputs.



Both inputs must be low
to enable outputs.



Title MC14076BCP, G24793		
Size A	Document Number Design 1857	Rev 1
Date:	Sunday, May 16, 2021	Sheet 1 of 1