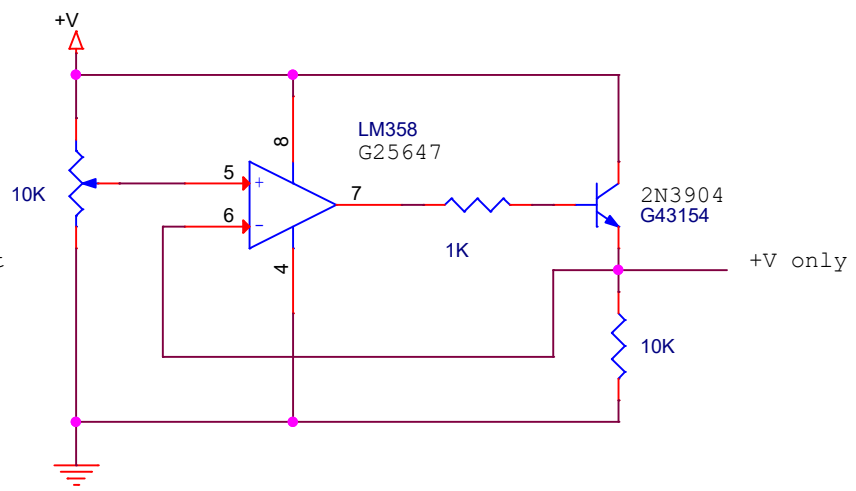
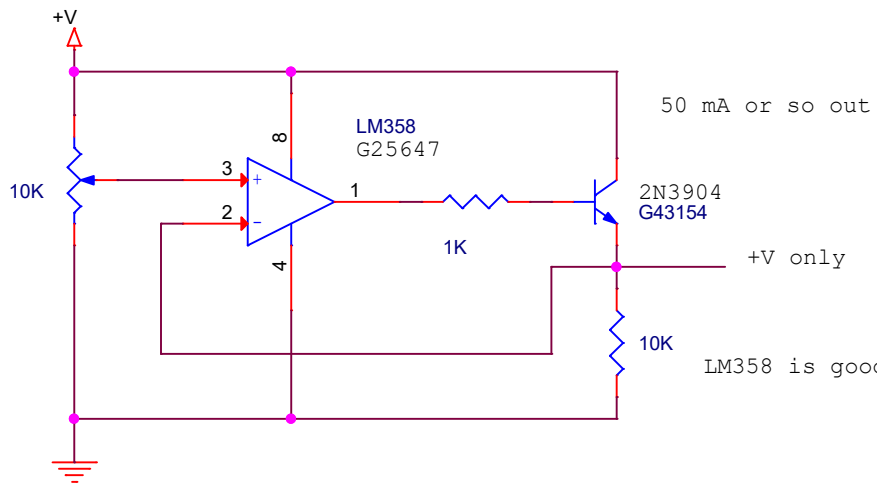


- G25643 LM741
- G25483 TL071
- G24833 MC1456
- G25542 LM748
- G25622 CA3240
- G25591 LM307
- G25635 LM301

Circuits for doing various exercises or many components.



LM358 is good here since the input can go all the way to ground.

Title		
Analog breadboard dodads		
Size	Document Number	Rev
A	Design 1802	1
Date:	Thursday, April 08, 2021	Sheet 1 of 1