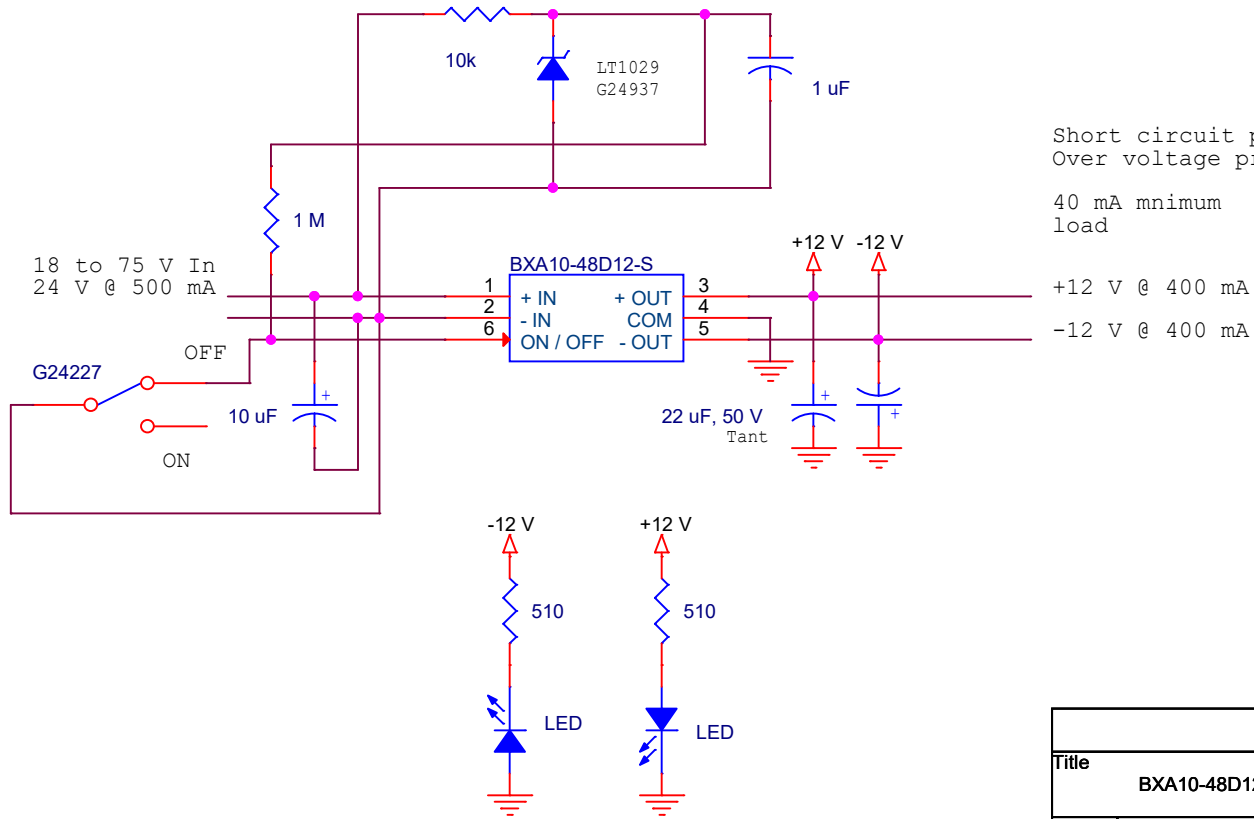
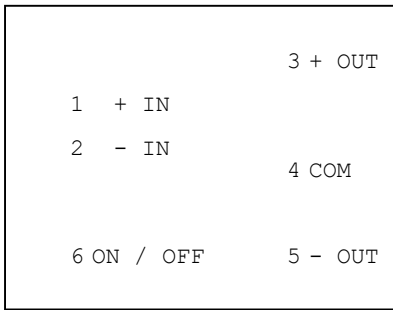


Bottom view



Short circuit protected.
Over voltage protected, 30 V.

40 mA minimum load

+12 V @ 400 mA

-12 V @ 400 mA

Title		
BXA10-48D12-S DC to DC Power supply.		
Size	Document Number	Rev
A	Design 1664	1
Date:	Tuesday, October 13, 2020	Sheet 1 of 1