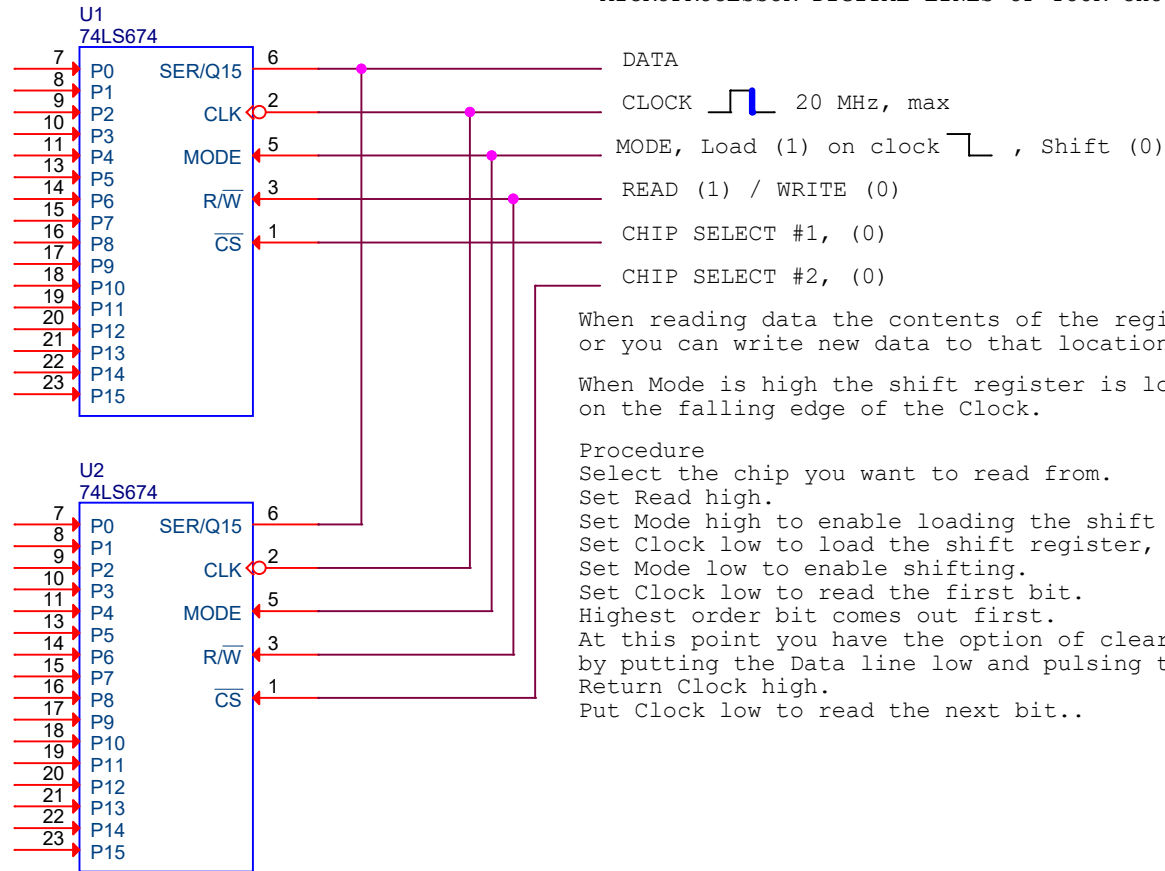


MICROPROCESSOR DIGITAL LINES OF YOUR CHOICE



When reading data the contents of the register is reloaded, or you can write new data to that location.

When Mode is high the shift register is loaded on the falling edge of the Clock.

Procedure

Select the chip you want to read from.

Set Read high.

Set Mode high to enable loading the shift register.

Set Clock low to load the shift register, then back high.

Set Mode low to enable shifting.

Set Clock low to read the first bit.

Highest order bit comes out first.

At this point you have the option of clearing this bit location by putting the Data line low and pulsing the Write line low

Return Clock high.

Put Clock low to read the next bit..

Title		
32 input lines for your Arduino or any microprocessor		
Size	Document Number	Rev
A	Design 1733	1
Date:	Monday, November 23, 2020	Sheet 1 of 1