

FLOJET

a xylem brand

INSTALLATION & OPERATION FOR MODEL 30573 0002B/0012B MINI-ACCUMULATOR TANK

MINI-ACCUMULATOR TANK

FEATURES

- Internal bladder
- Smoother, more even flow
- Quieter water system
- Longer pump life
- Easily fitted to new or existing systems
- Compact size
- Quick-connect/disconnect port fittings
- Mounting point for optional pressure switch
- Food grade materials, NSF Standard 18 listed

SPECIFICATIONS

Tank: Food-grade, nylon shell, butyl liner, stainless steel fasteners.

Total internal volume:21.5 oz.(.65L)

Max operating pressure: 125 psi (8.6 bar)

Pre-charge pressure: 10 psi (.07 bar)

Air fill valve:standard automotive style tire valve

Dimensions: 8.4 in.(214 mm) Long X 4.68 in.(119 mm) Wide

Weight: 0.96 lbs. (0.44 kg)

IMPROVES MOST AUTOMATIC WATER SYSTEMS

This accumulator tank is intended for installation in any pumped water system controlled by a pressure switch, and may also be used with air-driven pumps. The tank can serve as storage vessel as well as a pulsation dampener for pressurized fluid. The accumulator tank smoothes water flow and reduces on/off switch cycling of the pump by lessening the variation in pressure and flow between the pump and the system discharge points. The even flow of water gives better control of hot water temperature with systems using instant water heaters.

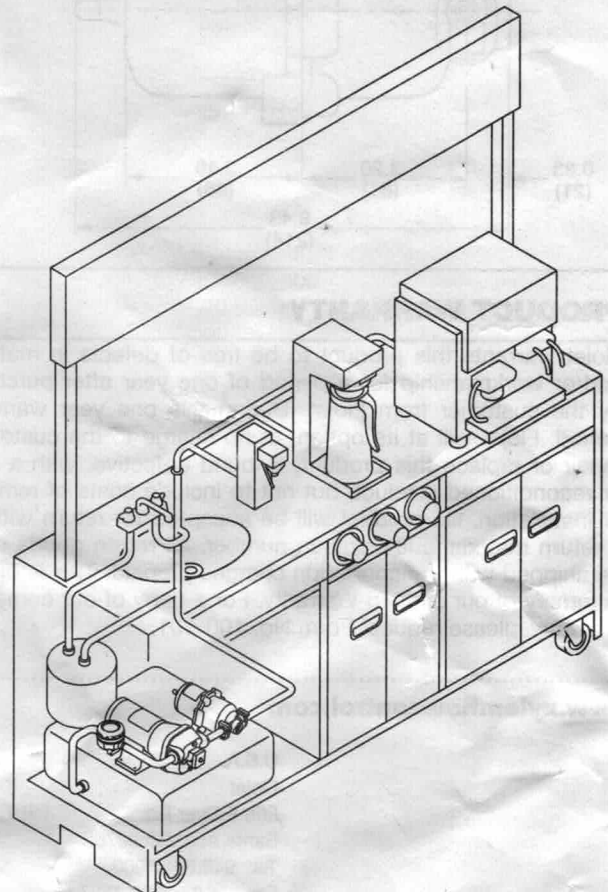
PRE-CHARGE PRESSURE ADJUSTMENT

The accumulator tank is pre-charged at 10 psi (0.7 bar). If your pump electric pump cut-in pressure is significantly different you may adjust the tank pressure to better suit your particular installation.

To increase air pressure in tank, shut pump off, open a faucet to relieve system pressure and adjust precharge pressure using ordinary tire gauge and tire pump at valve in end of tank. Pressure should be checked from time to time. To check tank pressure: turn off power to water pump, open a faucet to relieve pressure. Check tank pressure, adjust if necessary. Close faucet and turn on power to pump. For best results, do not pressurize tank above 20 psi (1.4 bar).



TYPICAL BEVERAGE INSTALLATION



TYPICAL INSTALLATION

Disconnect power supply to electric pump, or air supply to air-driven pump. For municipal water supply, shut off water supply (not necessary on static or tank water supply). Open the faucet or appliance discharge valve. Tank installs anywhere in-line on discharge side of pump. Fasten hose to inlet/outlet fittings securely with hose clamps. Failure to do so may result in flooding and /or equipment damage. Restore water supply, then restore power supply. Allow water to flow through pump and out final discharge point in order to eliminate air from system. Tank may be mounted in any position. To remove the tank from the system, always disconnect power source to the pump, and open a faucet or appliance to safely vent water under pressure.

SAFETY

If possible use a safety relief valve set for 125 psi (8.6 bar) max., installed in-line on the pump discharge side. Use flexible braided hose to minimize noise and/or vibration. Hose should be rated for pressure levels expected of each system.

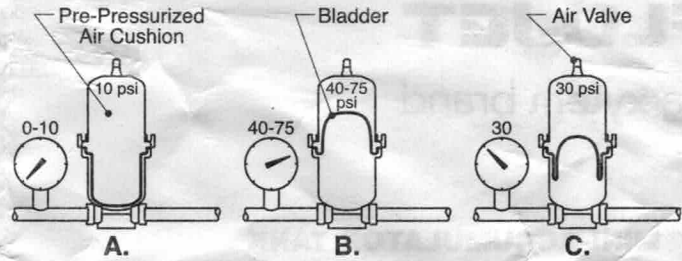
REPLACEMENT PORTS

20381-026 3/8"-1/2" Straight Hose Barb

20381-024 3/8"-1/2" Elbow Hose Barb

All parts 2 per bag

HOW THE PRESSURE ACCUMULATOR WORKS

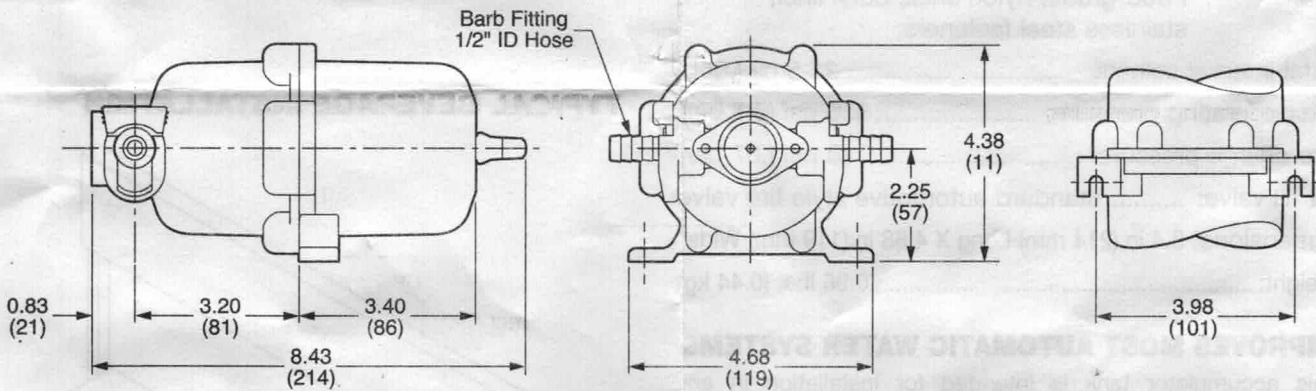


- Factory installed precharged air cushion.
- When pump starts, water enters the reservoir. At maximum pressure, system is filled. Pump shuts off.
- When water is demanded, pressure in the air chamber forces water into the system. Pump stays off until minimum pressure is reached, then pump starts and runs until cut-off pressure is reached.

CAUTION

Do not overpressurize tank. Pressures over 125 psi (8.6 bar) may rupture tank and cause personal injury.

DIMENSIONAL DRAWING



PRODUCT WARRANTY

Flojet warrants this product to be free of defects in material and/or workmanship for a period of one year after purchase by the customer from Flojet. During this one year warranty period, Flojet will at its option, at no charge to the customer, repair or replace this product, if found defective, with a new or reconditioned product, but not to include costs of removal or installation. No product will be accepted for return without a return material authorization number. All return goods must be shipped with transportation charges prepaid. This is only a summary of our Limited Warranty. For a copy of our complete warranty, please request Form No. 100-101.

RETURN PROCEDURE

Prior to returning any product to Flojet, call customer service for an authorization number. This number must be written on the outside of the shipping package. Place a note inside the package with an explanation for return as well as the authorization number. Include your name, address and phone number.

www.xylemflowcontrol.com

U.S.A.
Flojet
666 E Dyer Rd.
Santa Ana, CA 92705
Tel: 949.608.3900
Fax: 949.608.3887

UNITED KINGDOM
Flojet
Bingley Road, Hoddesdon
Hertfordshire N11 OBU
Tel: +44 (0) 192 450145
Fax: +44 (0) 192 467132

FLOJET
a xylem brand