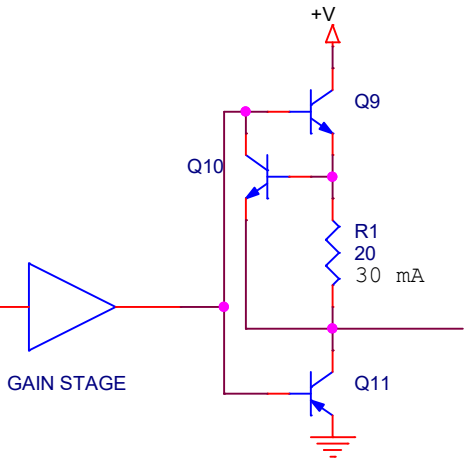


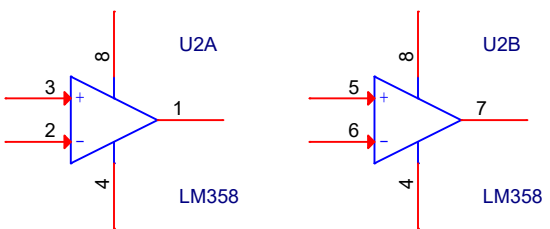
LM158 - Military / aerospace  
 LM258 - Industrial grade  
 LM358 - Commercial grade  
 LM2904 - same thing  
 LM324 or LM2902 - Quad package



Simplified internals.  
 The PNP input design allows the input voltages to work well close to ground with +V only power.

( Assumed power, +5 V)  
 Input offset voltage = 3 mV  
 Input bias current = 45 nA  
 Input offset current = 5 nA  
 Input voltage range = 0 V to (VCC - 1.5 V) <<< !!  
 Supply current = 0.5 mA  
 Large signal voltage gain = 100 V/mV  
 Common mode rejection = 85 dB  
 Power supply rejection = 100 dB  
 Output current = 20 mA  
 Output voltage range = 0 V to (VCC - 1.5 V) <<< !!  
 Unity gain bandwidth = 1 MHz

<<<!! Why use the LM358 instead of LM741



Title		
G25647, Basic op amps, LM358		
Size	Document Number	Rev
A	Design 1412	1
Date:	Monday, April 05, 2021	Sheet 1 of 1