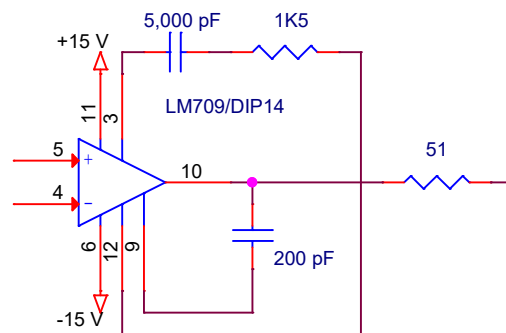


Assumed power + and - 15 V
 Input offset voltage = 2 mV
 Input offset current = 10 nA
 Input bias current = 300 nA
 Input impedance = 250K
 Icc = 2.6 mA
 Slew rate = 2.5 V/us
 Large signal voltage gain = 45 V/mV
 Output voltage range = 13 V, 2K ohm load
 Input voltage range = 10 V
 Frequency range = 800 KHz

Typical basic circuit with offset adjustment



Basic circuit, no offset

Title		
LM709CN G25722 OP AMP		
Size	Document Number	Rev
A	Design 1839	1
Date:	Tuesday, May 04, 2021	Sheet 1 of 1