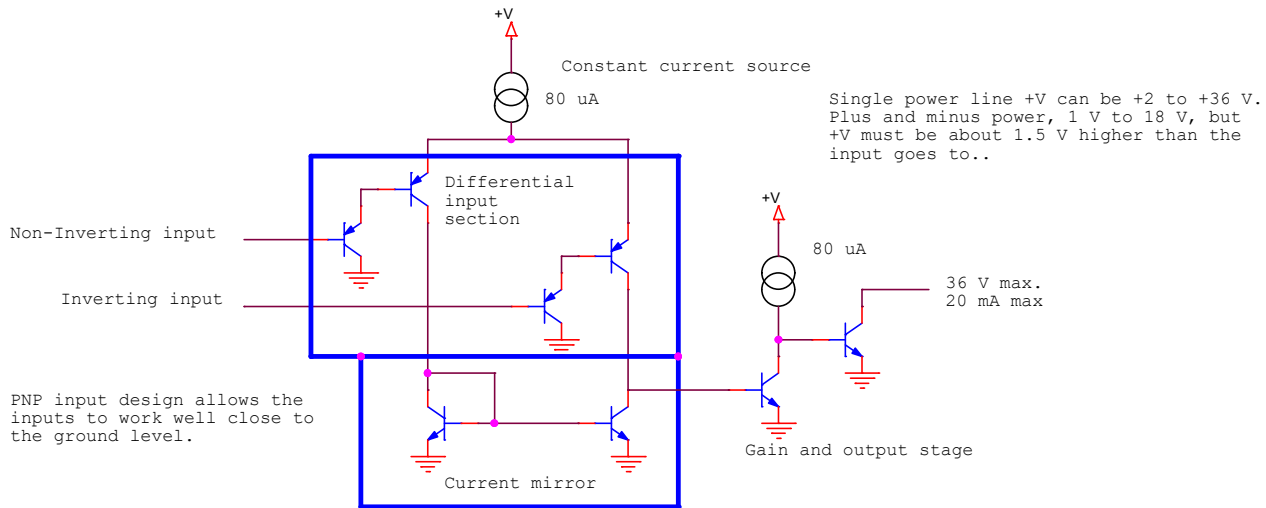


Same function and pinout as LM339 For dual version see LM393 or LM2903.
but only slightly different specs. For single version see LM392 or LM2924.



Non-Inverting input
Inverting input

PNP input design allows the inputs to work well close to the ground level.

When the Inverting input is more positive than the Non-Inverting input the output will be low. Otherwise the output transistor is turned off. Analog in. Digital out.

Single power line +V can be +2 to +36 V. Plus and minus power, 1 V to 18 V, but +V must be about 1.5 V higher than the input goes to..

80 uA
36 V max.
20 mA max.
Gain and output stage

Title		
G26019, LM2901 Quad voltage comparator		
Size	Document Number	Rev
A	Design 1918	1
Date:	Monday, August 16, 2021	Sheet 1 of 1